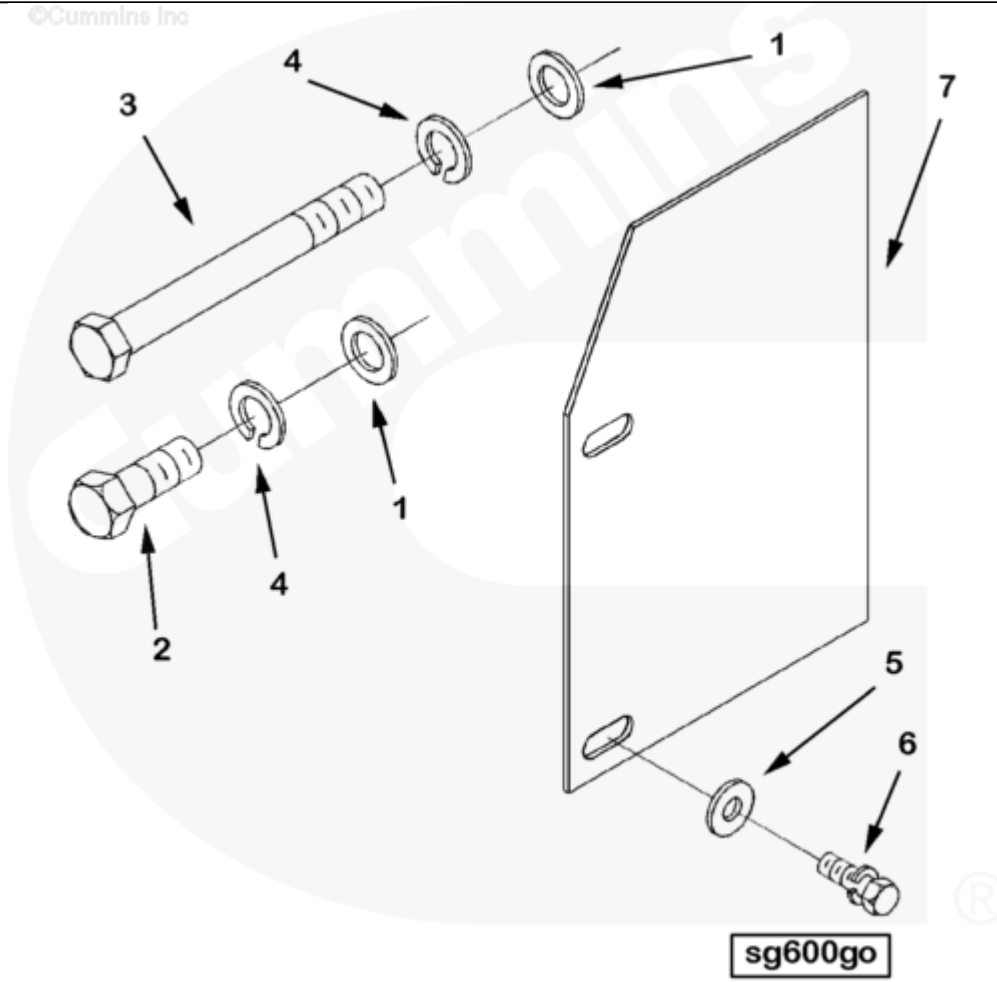




Parts Catalog - Option Detail

Electronic Parts Catalog - Option Detail				
Option	Group	Graphic	Film Card	Date
SG6010-01	01.02.2	sg600go	K38	06-JAN-97
Engines	GTA38, K38, KTA38GC CM558, QSK38 CM2150 K106, QSK38 CM2150 MCRS, QSK38 CM850 MCRS			



[SMALL](#) | [MEDIUM](#) | [LARGE](#)

Cart	Ref No	Part Number	Part Description	Required	Remarks
<input type="button" value="View My Cart"/>					
		SG6010-01	Vibration Damper Shield		Guard for vibration damper...(More)
					only. Cannot be used with
					front power take-off or

					base rails. Supplied
					in kit.
<input type="checkbox"/>	1	69324	Plain Washer	4	3/8 in.
<input type="checkbox"/>	2	103009	Hexagon Head Cap Screw	2	7/16 - 14 X 1 1/4 in.
<input type="checkbox"/>	3	110266	Hexagon Head Cap Screw	2	7/16 - 14 X 4 in.
<input type="checkbox"/>	4	135783	Lock Washer	4	7/16 in.
<input type="checkbox"/>	5	146159	Plain Washer	2	1/4 Inch.
<input type="checkbox"/>	6	3013904	Captive Washer Cap Screw	2	1/2 - 20 x 5/8 in.
<input type="checkbox"/>	7	3627041	Cover Plate	1	

© 2019 Cummins Inc., Box 3005, Columbus, IN 47202-3005 U.S.A.
Terms of Use and Disclaimers | Recommended System Requirements
Need Assistance? Please click on the Contact Us button in the top right corner of any page.